

STAGE SETS

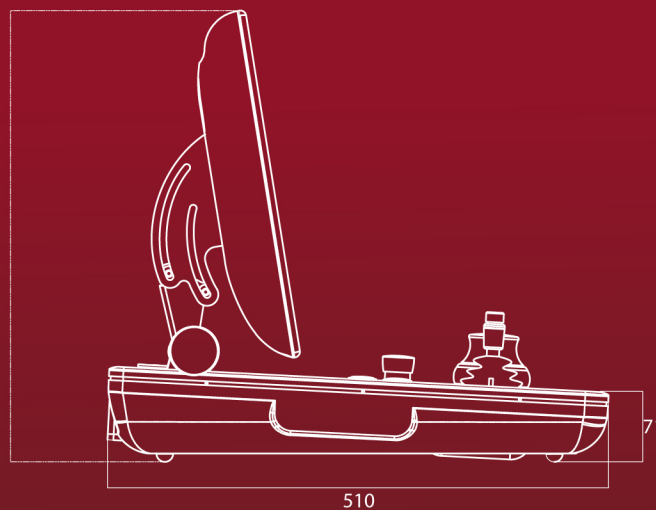
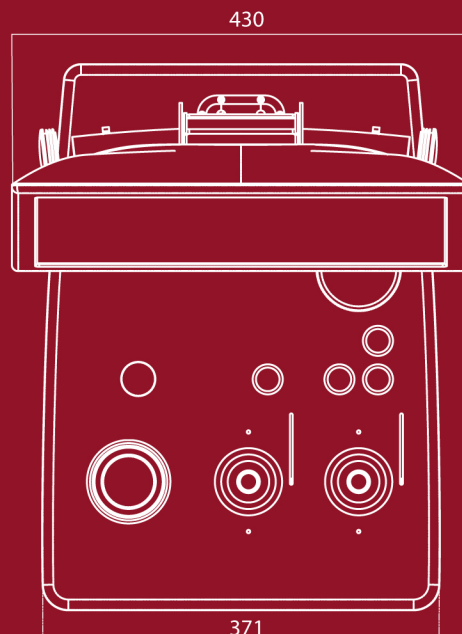
MX II CONTROL PANEL



MX II Control Panel

- Wide screen (17" or 22") for optimized HMI
- Up to 2 travel fields with joystick, plus one sliding potentiometer each for extension of the joystick's selection entry range
- Function key field as touch screen technology
- Topographic pre-selection field as touch screen
- Mouse control by i-device
- USB-Port - USB-Stick for storage of the programmed travel sequences and performances
- Key - Switch for normal and backup mode
- Panel lighting
- Command button for EMERGENCY STOP
- Operating panel made of aluminium profile and sheet steel frame in a stationary standard design, TFT displays adjustable

www.stage-sets.com



Technical Data

Dimension		430mmx510mmx460mm
No of Controls		2
No of escreens		1
Screen Dimension		17"/22"
Weight		12 kg
Color		Metallic
USB-Ports		1

Tel: 55 8535 9810 / 55 1948 2269

STAGE SETS

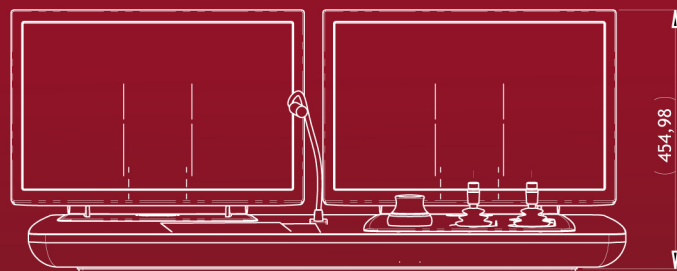
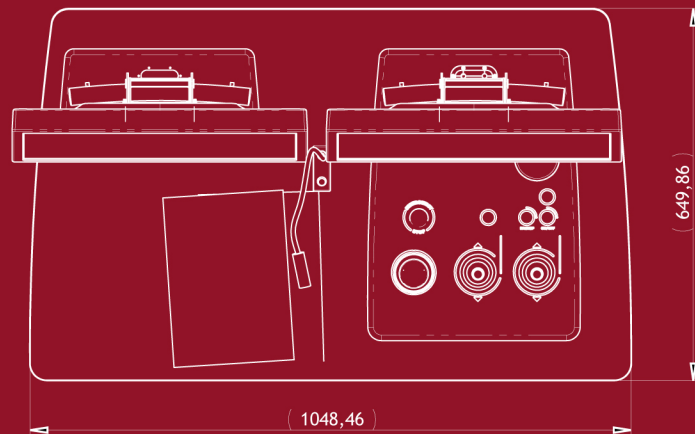
MX II CONTROL PANEL



MX II + Control Panel

- 2 wide screen (17" or 22") for optimized HMI
- Up to 4 travel fields with joystick, plus one sliding potentiometer each for extension of the joystick's selection entry range
- Function key field as touch screen technology
- Topographic pre-selection field as touch screen
- Free selection of screen function
- Mouse control by i-device
- USB-Port - USB-Stick for storage of the programmed travel sequences and performances
- Key - Switch for normal and backup mode
- Panel lighting
- Command button for EMERGENCY STOP
- Operating panel made of aluminium profile and sheet steel frame in a stationary standard design, TFT displays adjustable

www.stage-sets.com



Technical Data

Dimension		1050mmx650mmx466mm
No of Controls		2,4
No of escreens		2
Screen Dimension		17"/22"
Weight		28 kg
Color		Metallic
USB-Ports		2

Tel: 55 8535 9810 / 55 1948 2269

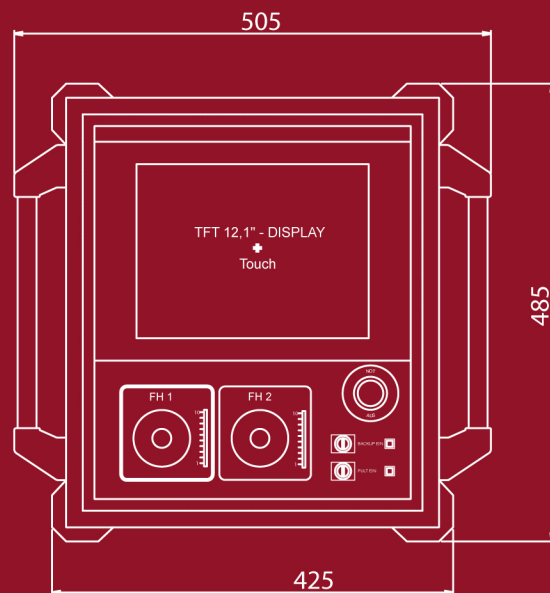
STAGE SETS

MCB Control Panel



MCB Control Panel

- High-resolution screen for optimized HMI
- Up to 3 travel fields with joystick, plus one sliding potentiometer each for extension of the joystick's selection entry range
- Function key field as touch screen technology
- Topographic pre-selection field as touch screen
- USB-Port - USB-Stick for storage of the programmed travel sequences and performances
- Key - Switch for normal and backup mode
- Command button for EMERGENCY STOP
- Rugged aluminium case



Technical Data

Dimension		425mmx485mmx130mm
No of Controls		2, 3
No of escreens		1
Screen Dimension		12"
Weight		9 kg
Color		Black
USB-Ports		1

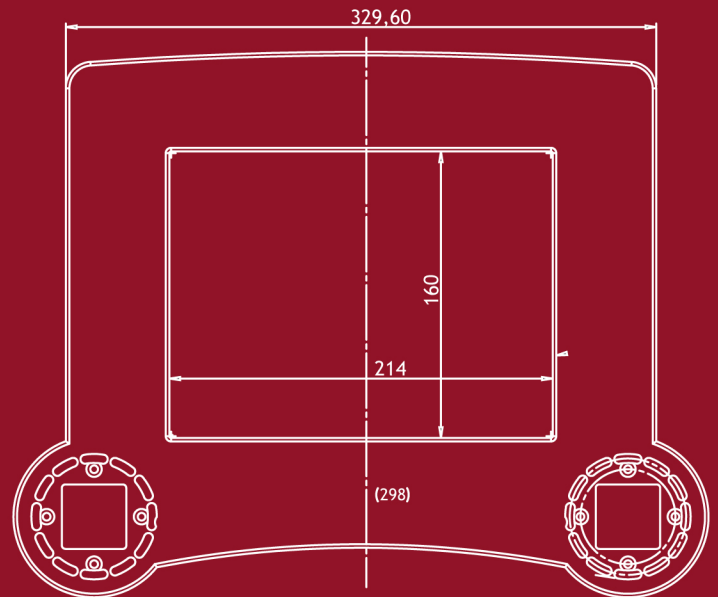
STAGE SETS

MCD Control Panel



MCD Control Panel

- High-resolution screen for optimized HMI
- 2 travel fields with joystick
- Function key field as touch screen technology
- Topographic pre-selection field as touch screen
- USB-Port - USB-Stick for storage of the programmed travel sequences and performances
- Command button for EMERGENCY STOP
- Light-weight aluminium case
- Wireless option with battery-supply



Technical Data

Dimension		390mmx310mmx60mm
No of Controls		2
No of escreens		1
Screen Dimension		12"
Weight		4 kg
Color		Metallic
USB-Ports		1