

STAGE SETS

ACOUSTIC SHELLS

Hannah Series



STAGE SETS

Hannah Series

“TURN YOUR THEATER INTO A TRUE CONCERT HALL”

- Lightweight bandshell for portable applications, towers are fabricated in extra-lightweight aluminum panels covered with triplay with 12 wattled wood sheets that renders it extremely solid, the towers are supported by themselves using traditional counterweights.
- Natural Finish, Veneer and melamine to choose from.
- Self storage system, piling the panels against each other on specially designed transportation cars.
- The soffits can be stored along the theatrical mechanic system, identical to Sophia Series but extra lightweight, this allows to use theatrical point hoists with no additional considerations.
- Lighting is integrated on soffits, based on PAR 38 Halogen LED, dimmeable and high powered. Ideal for smal and medium spaces, with storage problems.



Colors and types of details

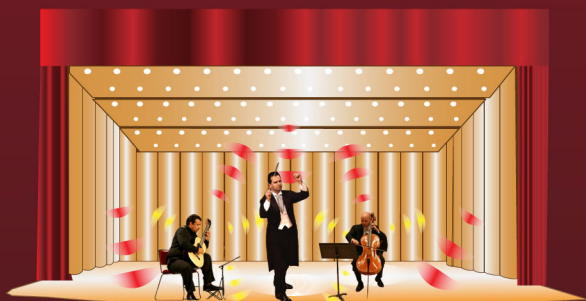
With a variety of colors and possible types of details on request, acoustic shells Hannah adapt to any type of architecture and modern or classical.

STAGE SETS

Acoustic Benefits

- Hannah series reflects sound back to the source so musicians can hear themselves more accurately.
- By reflecting and diffusing sound throughout the enclosure. Hannah series enhances cross-communication vital to ensemble performance.
- For conductors, Hannah series delivers a more accurate mix of sounds from the entire orchestra.
- Hannah series projects sound into the audience and prevents sound energy from escaping into the fly loft, curtains, and stage wings.

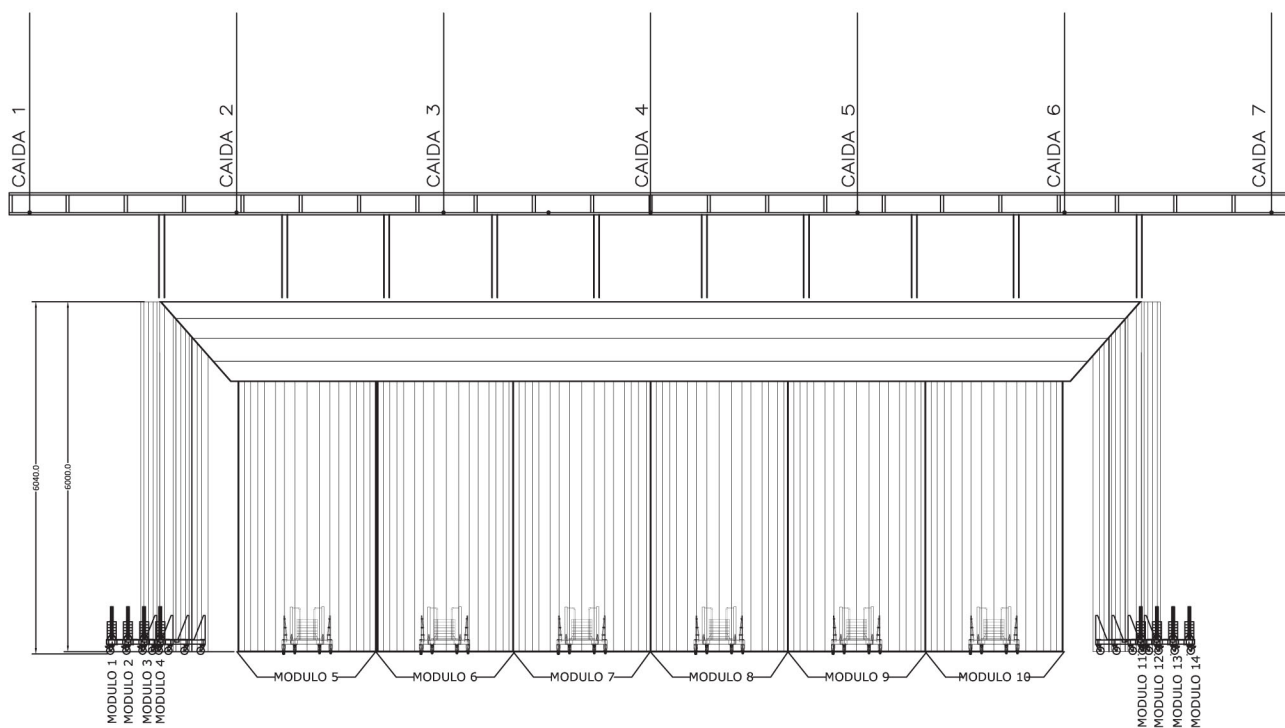
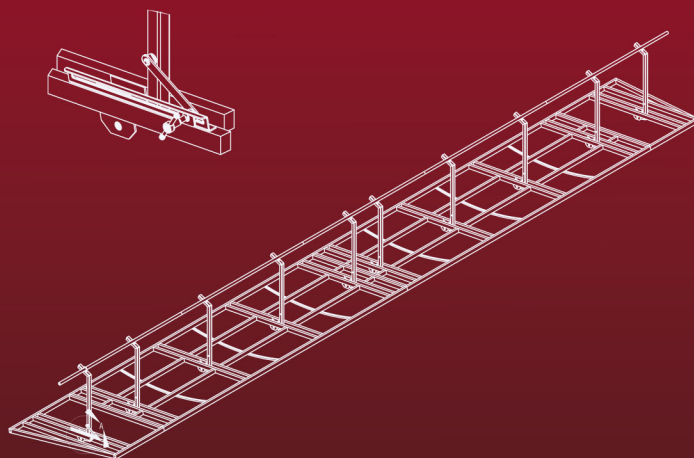
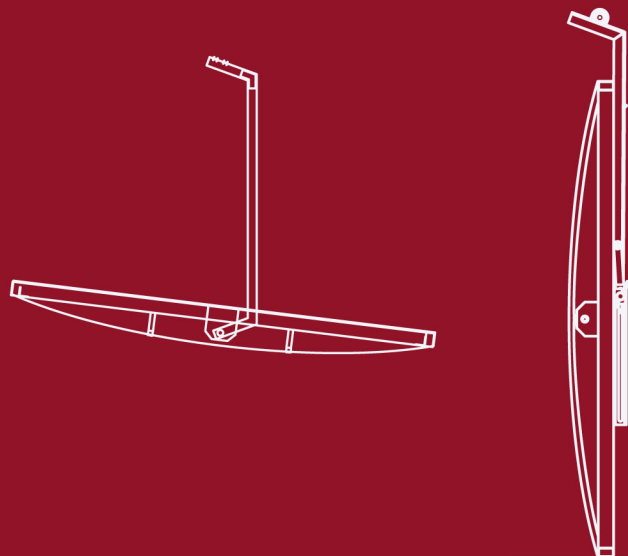
The acoustic shell Stage Sets are calibrated with precise absorption coefficients according to the different needs even give the best result possible acoustic.



STAGE SETS

TECHNICAL SPECIFICATIONS

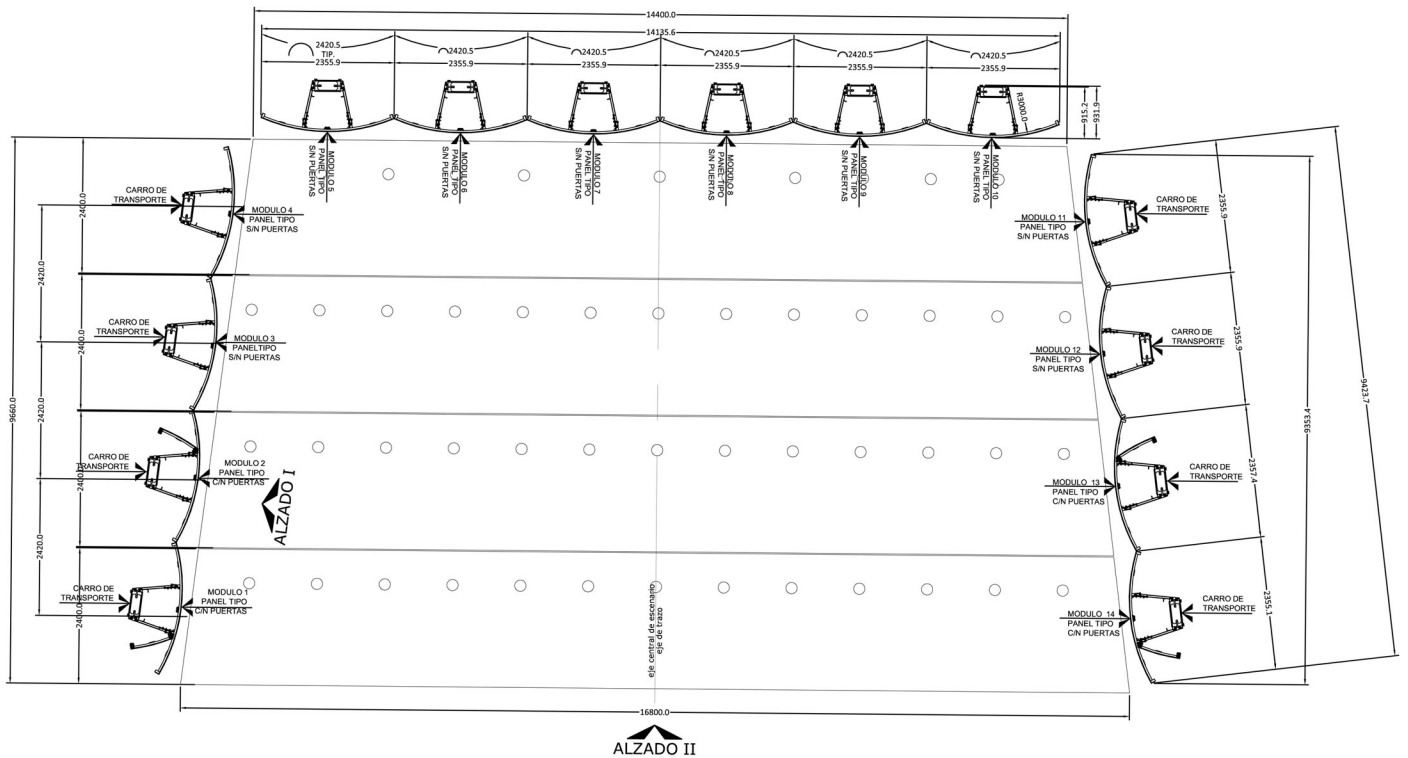
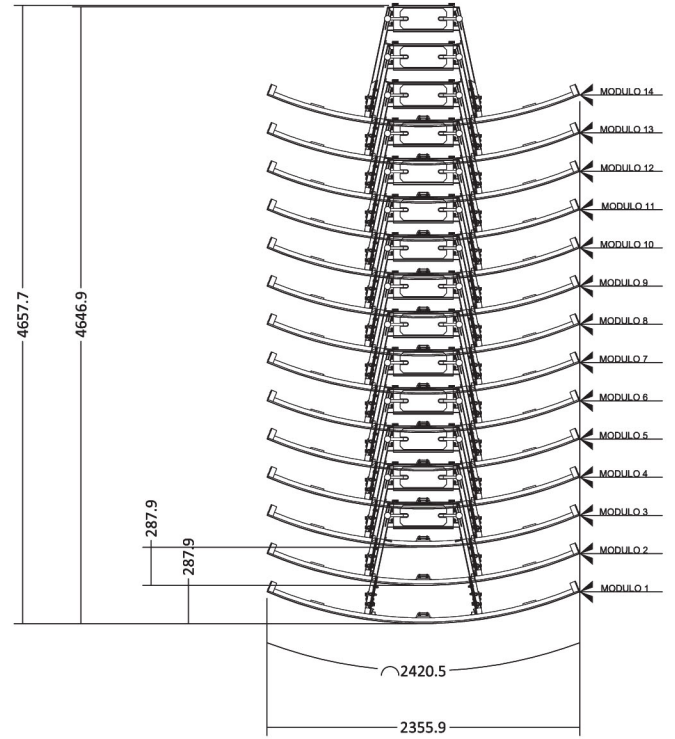
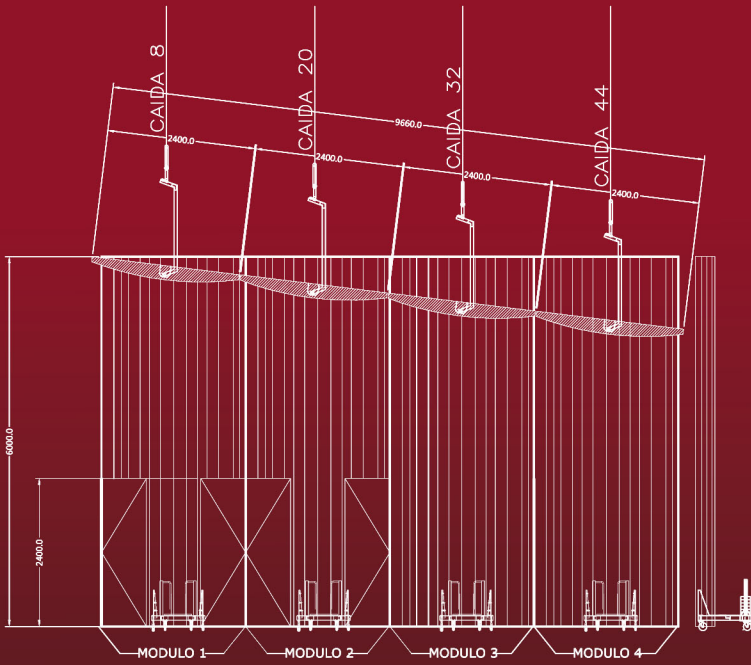
- Tilting ceiling set at center of gravity for total operation
- Fine adjustment mechanism, easy to use with integrated angles graduation
- Motorized option for ceiling angle operation
- 3 years warranty



Alzado II

STAGE SETS

TECHNICAL SPECIFICATIONS



STAGE SETS

Tel: 55 8535 9810 / 55 1948 2269

www.stage-sets.com